

# MaxiFil

Art. No.: 65 650 105



## Technical Data

| Filter                      |   |
|-----------------------------|---|
| Filter stages               | 2   |
| Filter method               | Storage Filter                            |
| Filter surface              | 42 m <sup>2</sup>                         |
| Type of filter              | Safe Change Filter                        |
| Filter material             | Cellulose with polyester nanofibre fleece |
| Filter efficiency           | > 99,5 %                                  |
| Filter class                | E12                                       |
| Additional filters          | Pre-filter (aluminium)                    |
| Basic data                  |   |
| Extraction capacity         | 1100 m <sup>3</sup> /h                    |
| Maximum vacuum              | 3200 Pa                                   |
| Dimensions (w x t x h)      | 803 x 892 x 1109 mm                       |
| Weight                      | 129 kg                                    |
| Motor power                 | 1.5 kW                                    |
| Power supply                | 3 x 400 V / 50 Hz                         |
| Rated current               | 3.1 A                                     |
| Control voltage             | 24 V, DC                                  |
| Noise level                 | 70 dB(A)                                  |
| Additional information      |   |
| IFA-Certification           | W3-Approved                               |
| Fan type                    | Radial fan                                |
| Quantity of extraction arms | 1   |
| Exhaust arm type            | rigid metal tube arm                      |
| Diameter extraction arm     | 150 mm                                    |
| Length of exhaust arm       | 4 m                                       |

## Applications

- Suitable for all materials, including high-alloy steel
- Medium levels of smoke and dust
- Regular use

## Benefits

- Safe operation by rotation field control
- Exhaust arm requires less adjustment due to flow-optimised exhaust hood design
- Increased safety due to filter monitoring
- Increased safety with safe filter change
- Very economic due to long lasting high capacity filters

## Properties

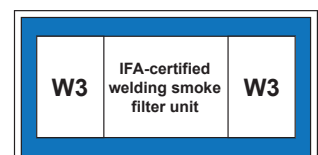
- Exhaust arm up to 4 m
- Rotating exhaust hood

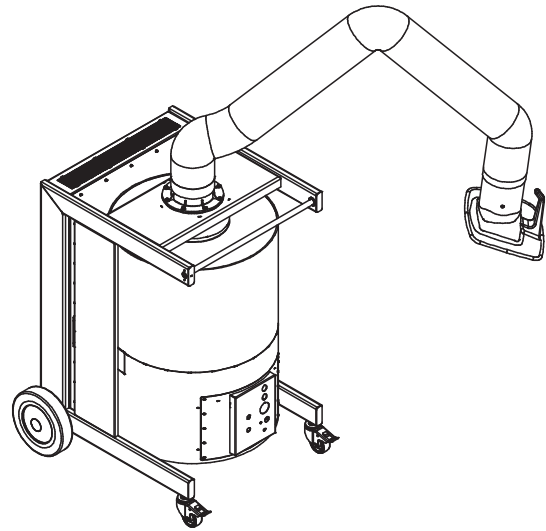
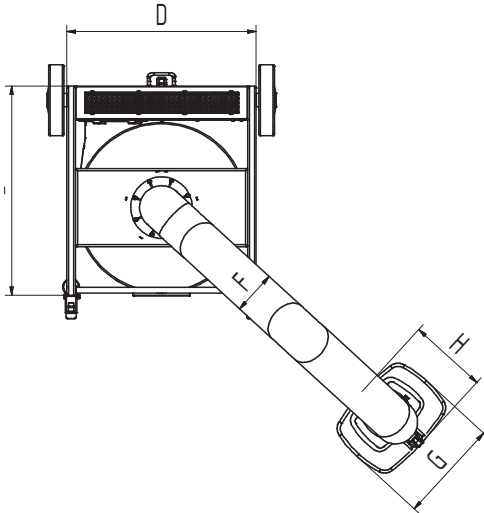
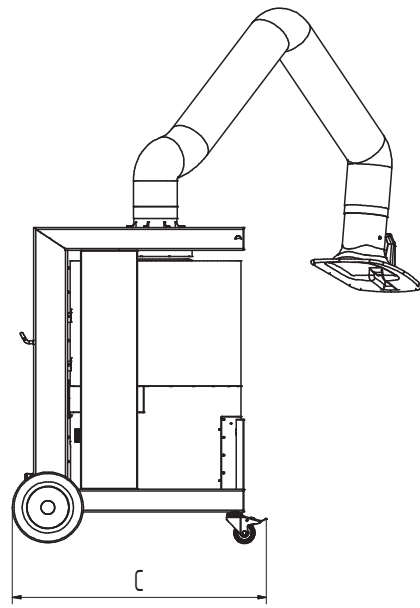
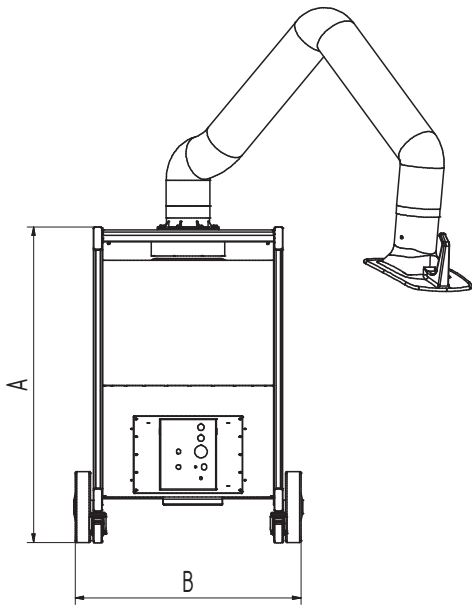
## Accessories

- Automatic start-stop
- Workplace lighting incl. on/off switch at the hood



Suitable for alveole exchangeable dusts  
separation > 99 % of particles < 0,4 µm





## Technical Data

### Dimensions

|   |         |
|---|---------|
| A | 1109 mm |
| B | 803 mm  |
| C | 892 mm  |
| D | 665 mm  |
| E | 738 mm  |
| F | 150 mm  |
| G | 360 mm  |
| H | 295 mm  |