

# MaxiFil AC

Art. No.: 65 650 AK 101



## Technical Data

| Filter                      |   |
|-----------------------------|---|
| Filter stages               | 3   |
| Filter method               | Storage Filter                                      |
| Filter surface              | 34 m <sup>2</sup>                                   |
| Type of filter              | Safe Change Filter                                  |
| Filter material             | Non-woven polyester                                 |
| Filter efficiency           | > 99,5 %  |
| Filter class                | E12   |
| Additional filters          | Pre-filter (aluminum) and activated charcoal filter |
| Basic data                  |   |
| Extraction capacity         | 950 m <sup>3</sup> /h                               |
| Maximum vacuum              | 3200 Pa   |
| Weight                      | 135 kg  |
| Motor power                 | 1.5 kW  |
| Power supply                | 3 x 400 V / 50 Hz                                   |
| Rated current               | 3.1 A   |
| Control voltage             | 24 V, DC  |
| Noise level                 | 70 dB(A)  |
| Additional information      |   |
| Fan type                    | Radial fan  |
| Quantity of extraction arms | 1   |
| Exhaust arm type            | flexible exhaust arm                                |
| Diameter extraction arm     | 150 mm  |
| Length of exhaust arm       | 3 m   |

## Applications

- Absorption of gases and odors
- Medium levels of smoke and dust
- Regular use

## Benefits

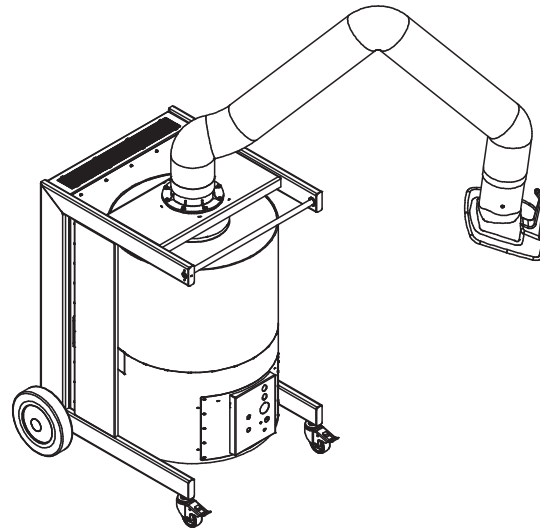
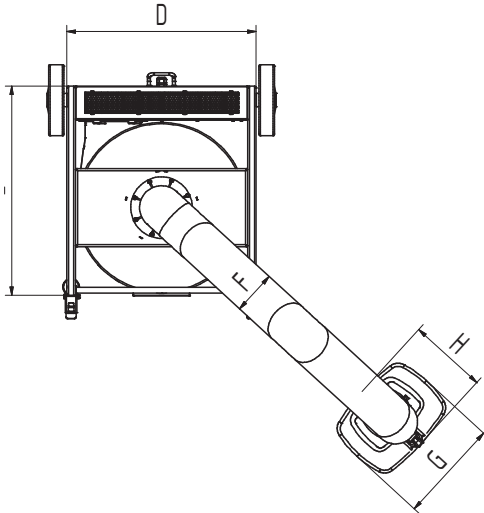
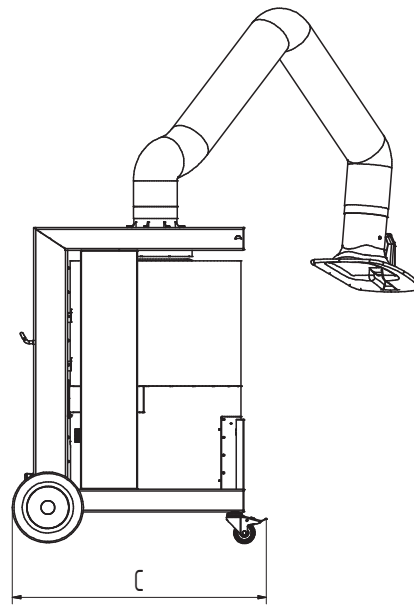
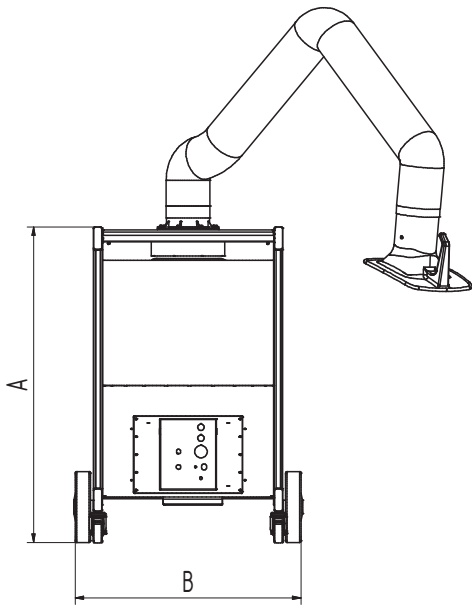
- Safe operation by rotation field control
- Exhaust arm requires less adjustment due to flow-optimised exhaust hood design
- Increased safety due to filter monitoring
- Increased safety with safe filter change
- Very economic due to long lasting high capacity filters

## Properties

- Exhaust arm up to 4 m
- Activated carbon filter with 7.8 kg filling volume
- Rotating exhaust hood

## Accessories

- Automatic start-stop
- Workplace lighting incl. on/off switch at the hood



## Technical Data

### Dimensions

|   |         |
|---|---------|
| A | 1109 mm |
| B | 803 mm  |
| C | 892 mm  |
| D | 665 mm  |
| E | 738 mm  |
| F | 150 mm  |
| G | 360 mm  |
| H | 295 mm  |