

# Spark Separator SparkTrap

Art. No.: 196 200 560



## Technical Data

Basic data	
Air flow rate (max.)	12500 m <sup>3</sup> /h
Pressure drop	max. 700 Pa
Depth	850 mm
Height	1350 - 2840 mm
Connection Ø	560 mm
Length	4590 mm
Weight	200 kg
Filling volume Dust collection container	30 l

## Stanchion support

Art. No.	Description
<b>998 103 492</b>	Stand column set for SparkTrap DN 250
<b>998 103 493</b>	Stand column set for SparkTrap DN 355
<b>998 103 494</b>	Stand column set for SparkTrap DN 450
<b>998 103 495</b>	Stand column set for SparkTrap DN 560
<b>998 103 541</b>	Stand column set for SparkTrap DN 710

## Wall-mounting kit

Art. No.	Description
<b>998 103 485</b>	Wall assembly set for SparkTrap DN 250
<b>998 103 481</b>	Wall assembly set for SparkTrap DN 355
<b>998 103 486</b>	Wall assembly set for SparkTrap DN 450
<b>998 103 487</b>	Wall assembly set for SparkTrap DN 560
<b>998 103 540</b>	Wall assembly set for SparkTrap DN 710

## Applications

- Applications with an increased fire hazard
- Presence of sparks
- During welding, grinding or cutting processes
- Integrated into duct work before extraction and filter units

## Benefits

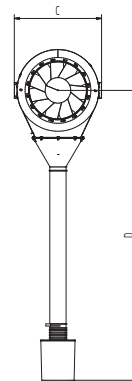
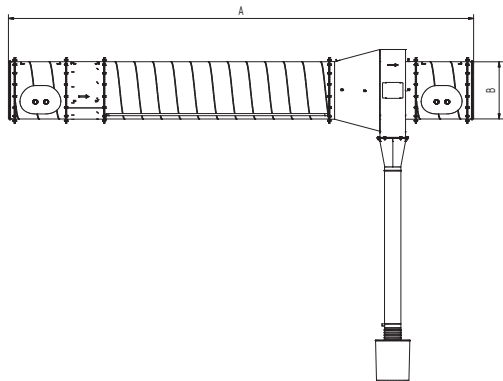
- Drastic reduction of running costs due to longer filter life
- Easy integration also into existing systems of any type or brand
- Savings resulting from less compressed air consumption and lower energy costs
- Minimization of fire hazards by pre-separating sparks and glowing particles

## Properties

- Separation of sparks, glowing particles and cigarette butts
- Swirl nozzle with annular gap spark trap
- Can be combined with a spark extinguishing system
- Dust collection container and gate valve in the downpipe

## Accessories

- Stanchion support
- Wall-mounting kit



## Technical Data

### Dimensions

A	4590 mm
B	560 mm
C	850 mm
D	1350 - 2840 mm

The shown transition pieces are optional

# Pressure-volume graph

- Pressure loss
- ▨ Recommended Use

