

VacuFil 250

Art. No.: 82 421



Technical Data

Filter	
Filter stages	2
Filter method	Cleanable filter
Filter cleaning method	Rotating nozzle
Filter surface	4 m ²
Type of filter	Filter cartridge
Filter material	ePTFE membrane
Filter efficiency	> 99.9 %
Dust classification	M
Basic data	
Extraction capacity	250 m ³ /h
Maximum vacuum	28000 Pa
Dimensions (w x t x h)	635 x 885 x 1160 mm
Weight	140 kg
Motor power	2.2 kW
Power supply	3 x 400 V / 50 Hz
Rated current	8.6 A
Noise level	66 dB(A)
Additional information	
Fan type	Side channel blower
Compressed air supply	5 - 6 bar
2 x Hose connection	2 x Ø 45 mm
Air outlet	63 mm

Applications

- High levels of smoke and particles
- Non-stop operation
- Torch extraction

Benefits

- Best health protection for employees by use of KemTex® ePTFE filter cartridges with surface filtration
- Stepless speed preselection of the side channel compressors
- Uninterrupted continuous operation due to automatically controlled filter cleaning

Properties

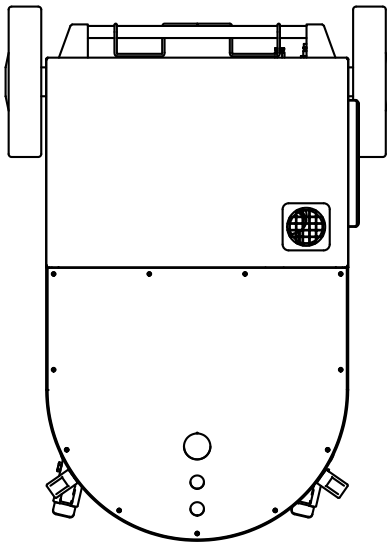
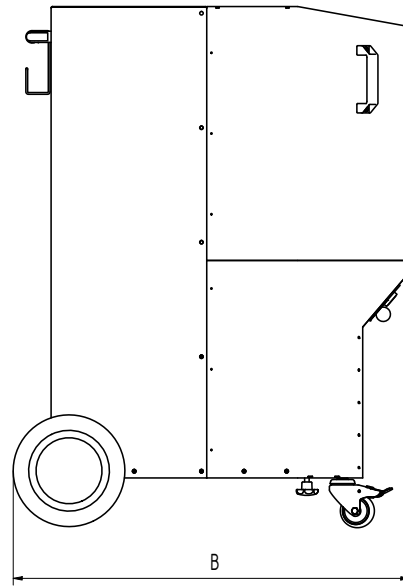
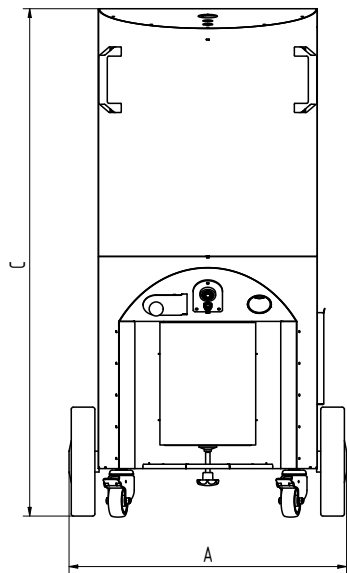
- Automatic filter cleaning, pressure-controlled
- Side channel blower
- KemTex® ePTFE filter cartridge
- Speed control via potentiometer
- Contamination -free dust disposal in one-way containers.

Accessories

- two connection sockets for welding torches
- Automatic start-stop
- Suction hose
- Slot and funnel nozzle



Suitable for alveole exchangeable dusts
separation > 99 % of particles < 0,4 µm



Technical Data

Dimensions

A	635 mm
B	885 mm
C	1160 mm