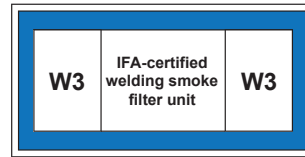


WeldFil Compact

Art. No.: 3465 550



Applications

- High levels of smoke and dust
- Welding and grinding shops
- Training centres and robotic welding lines
- Laser, plasma and flame cutting systems
- Can be installed outdoors

Benefits

- Contamination-free dust collection due to compressed air fixation of dust collection containers
- Uninterrupted continuous operation due to automatic differential pressure-controlled filter cleaning
- Little noise emission due to a low noise level
- Quick and simple set up, delivered ready to plug in with forklift pockets and lifting eyes *1
- Considerable energy cost savings by using the automatic extraction volume control
- Flexible integration of the control system into third-party systems such as cutting equipment due to potential-free contacts *2
- Best health protection for employees by use of KemTex® ePTFE cartridges with surface filtration

Properties

- Automatic filter cleaning, pressure-controlled
- Control via touch screen
- KemTex® ePTFE filter cartridges
- Dust collection container with pneumatic lifting device
- Preassembled and ready to plug in
- Automatic extraction volume control (optional)

Accessories

- Automatic extraction volume control
- External On/Off
- Fleet management, remote maintenance and pre-noise maintenance using autarkic networking via mobile radio to the KEMPER cloud
- Spark separator – SparkTrap
- Weatherproof housing for outdoor installation



Technical Data

Filter

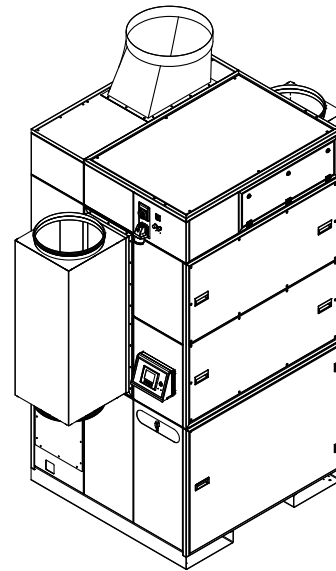
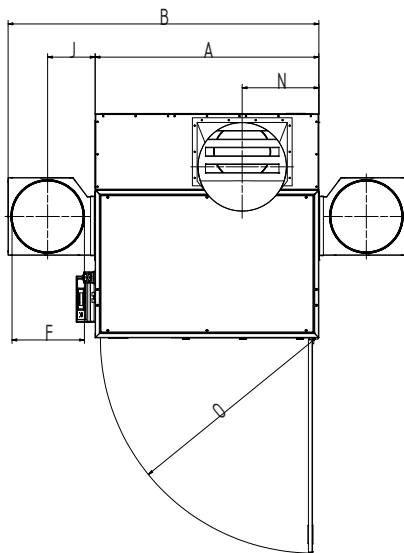
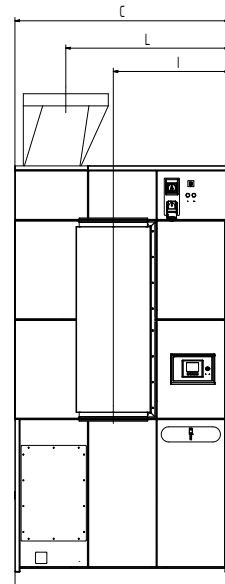
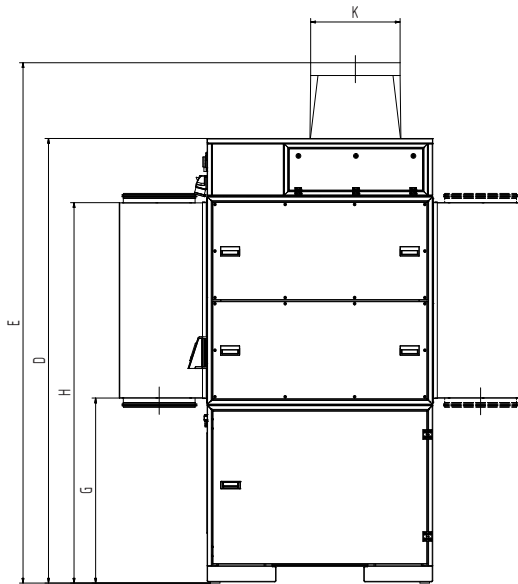
| | |
|------------------------|---------------------|
| Filter stages | 1 |
| Filter method | Cleanable filter |
| Filter cleaning method | Rotating nozzle |
| Filter surface | 108 ft ² |
| Filter surface total | 969 ft ² |
| Type of filter | Filter cartridge |
| Filter material | ePTFE membrane |
| Filter efficiency | > 99.99 % |
| Dust classification | M |

Basic data

| | |
|----------------------|-------------------|
| Max. fan performance | 5297 cfm |
| Extraction capacity | 2648 - 3813 cfm |
| Vacuum | 9 - 7 inch WC |
| Weight | 1742 lbs |
| Motor power | 7.38 hp |
| Power supply | 3 x 460 V / 60 Hz |
| Rated current | 9.1 A |
| Noise level | 65 dB(A) |

Additional information

| | |
|------------------------------------|-------------------------|
| Fan type | Impeller, direct driven |
| Compressed air supply | 73 - 87 PSI |
| Air outlet | bool_false in |
| Air intake | bool_false in |
| Capacity Dust collection container | 50 gal |



Technical Data

Dimensions

| | |
|---|---------|
| A | 55.6 in |
| B | 75.3 in |
| C | 73.4 in |
| D | 83.1 in |
| E | 98.8 in |
| F | 17.7 in |
| G | 45.1 in |
| H | 67.6 in |
| I | 45.6 in |
| J | 9.3 in |
| K | 17.7 in |
| L | 63.6 in |
| N | 19.1 in |
| O | 53 in |

The shown transition pieces are optional

Pressure-volume graph

- Fan characteristic curve
- Working pressure increase
- ▨ Recommended Use

