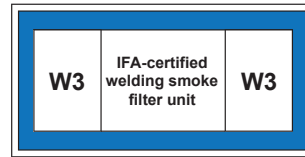


WeldFil Compact

Art. No.: 3485 550



Applications

- High levels of smoke and dust
- Welding and grinding shops
- Training centres and robotic welding lines
- Laser, plasma and flame cutting systems
- Can be installed outdoors

Benefits

- Contamination-free dust collection due to compressed air fixation of dust collection containers
- Uninterrupted continuous operation due to automatic differential pressure-controlled filter cleaning
- Little noise emission due to a low noise level
- Quick and simple set up, delivered ready to plug in with forklift pockets and lifting eyes *1
- Considerable energy cost savings by using the automatic extraction volume control
- Flexible integration of the control system into third-party systems such as cutting equipment due to potential-free contacts *2
- Best health protection for employees by use of KemTex® ePTFE cartridges with surface filtration

Properties

- Automatic filter cleaning, pressure-controlled
- Control via touch screen
- W3/IFA certified
- KemTex® ePTFE filter cartridges
- Dust collection container with pneumatic lifting device
- Automatic extraction volume control (optional)

Accessories

- Automatic extraction volume control
- External On/Off
- Fleet management, remote maintenance and pre-noise maintenance using autarkic networking via mobile radio to the KEMPER cloud
- Spark separator – SparkTrap
- Weatherproof housing for outdoor installation



Technical Data

Filter

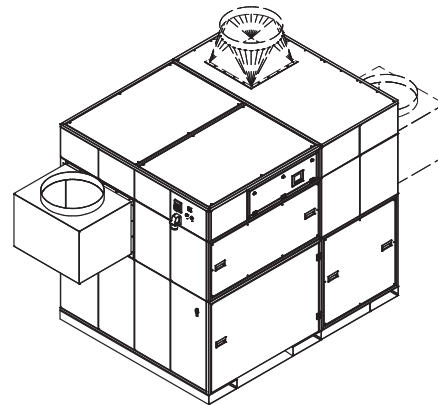
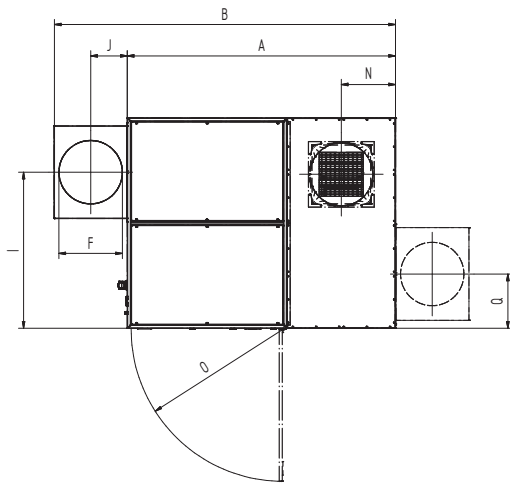
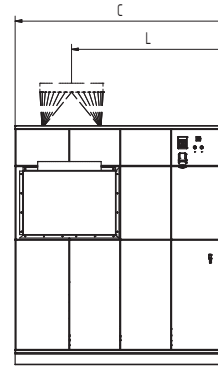
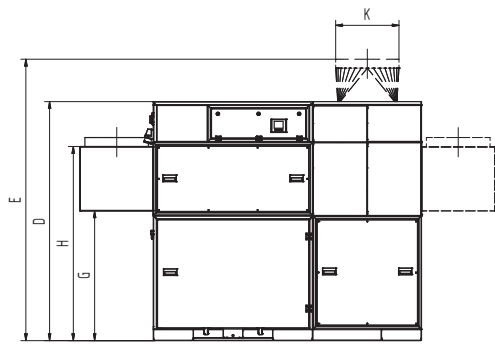
| | |
|------------------------|----------------------|
| Filter stages | 1 |
| Filter method | Cleanable filter |
| Filter cleaning method | Rotating nozzle |
| Filter surface | 108 ft ² |
| Filter surface total | 1292 ft ² |
| Type of filter | Filter cartridge |
| Filter material | ePTFE membrane |
| Filter efficiency | > 99.99 % |
| Dust classification | M |

Basic data

| | |
|----------------------|-------------------|
| Max. fan performance | 7062 cfm |
| Extraction capacity | 3531 - 5085 cfm |
| Vacuum | 10 - 8 inch WC |
| Weight | 2690 lbs |
| Motor power | 10.06 hp |
| Power supply | 3 x 460 V / 60 Hz |
| Rated current | 14.1 A |
| Noise level | 65 dB(A) |

Additional information

| | |
|------------------------------------|-------------------------|
| Fan type | Impeller, direct driven |
| Compressed air supply | 73 - 87 PSI |
| Air outlet | bool_false in |
| Air intake | bool_false in |
| Capacity Dust collection container | 50 gal |



Technical Data

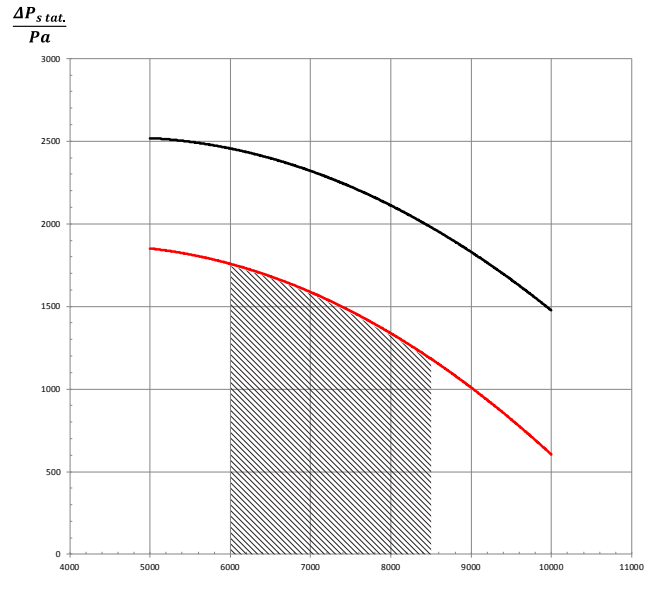
Dimensions

| | |
|---|----------|
| A | 93.6 in |
| B | 119.2 in |
| C | 73.4 in |
| D | 83.1 in |
| E | 98.8 in |
| F | 22 in |
| G | 45.1 in |
| H | 67.6 in |
| I | 54.4 in |
| J | 12.8 in |
| K | 22 in |
| L | 53.7 in |
| N | 18.9 in |
| O | 53 in |

The shown transition pieces are optional

Pressure-volume graph

- Fan characteristic curve
- Working pressure increase
- ▨ Recommended Use



$\vec{v} / m^3/h$