

PlasmaFil Pro

Art. No.: 32 130 211



Applications

- High levels of smoke and dust
- Welding and grinding shops
- Training centres and robotic welding lines
- Laser, plasma and flame cutting systems
- Can be installed outdoors

Benefits

- Contamination-free dust collection due to compressed air fixation of dust collection containers
- Uninterrupted continuous operation due to automatic differential pressure-controlled filter cleaning
- Little noise emission due to a low noise level
- Quick and simple set up, delivered ready to plug in with forklift pockets and lifting eyes *1
- Considerable energy cost savings by using the automatic extraction volume control
- Convenient operation due to intelligent control via touch screen with diagnostic system
- Best health protection for employees by use of KemTex® ePTFE cartridges with surface filtration
- Recirculation is possible even when using chrome-nickel steel thanks to W3 certification

Properties

- KemTex® ePTFE filter cartridges
- Automatic filter cleaning on required basis
- Highly effective and uniform filter cleaning by means of rotary nozzle
- Control via compact touch information display
- Low noise emissions thanks to extremely low noise level
- Quick and easy installation thanks to user-friendly preparation
- Low space requirement due to compact design

Accessories

- Dosing unit for pre-coating the filter cartridges
- Automatic extraction volume control
- Fleet management, remote maintenance and pre-noise maintenance using autarkic networking via mobile radio to the KEMPER cloud
- Automatic start-stop
- Weatherproof housing for outdoor installation



Technical Data

Filter

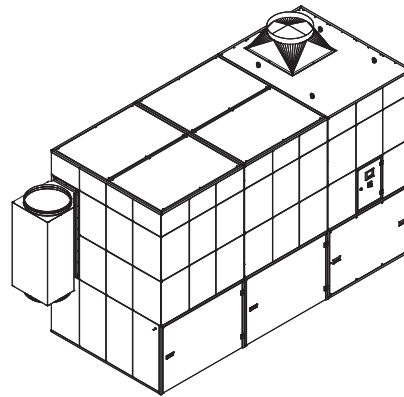
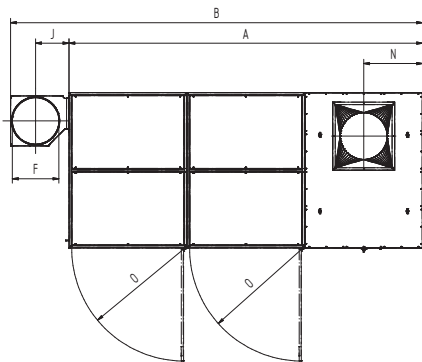
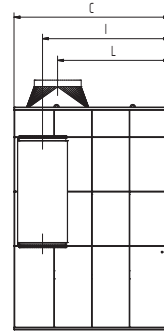
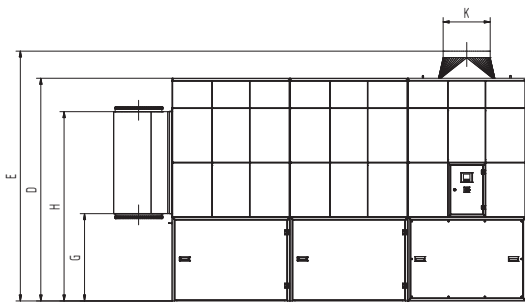
| | |
|------------------------|--------------------|
| Filter stages | 1 |
| Filter method | Cleanable filter |
| Filter cleaning method | Rotating nozzle |
| Filter surface | 20 m ² |
| Number filter elements | 11 |
| Filter surface total | 220 m ² |
| Type of filter | Filter cartridge |
| Filter material | ePTFE membrane |
| Filter efficiency | > 99.99 % |
| Dust classification | M |

Basic data

| | |
|---------------------|--------------------------------|
| Extraction capacity | 9000 - 12960 m ³ /h |
| Vacuum | 2250 - 1500 Pa |
| Weight | 2280 kg |
| Motor power | 11 kW |
| Power supply | 3 x 400 V / 50 Hz |
| Rated current | 20.6 A |
| Noise level | 65 dB(A) |

Additional information

| | |
|------------------------------------|-------------------------|
| Fan type | Radial fan, belt driven |
| Compressed air supply | 5 - 6 bar |
| Air outlet | 710 mm |
| Air intake | 560 mm |
| Capacity Dust collection container | 2 x 192 l |



Technical Data

Dimensions

| | |
|---|---------|
| A | 4239 mm |
| B | 4939 mm |
| C | 1864 mm |
| D | 2670 mm |
| E | 3020 mm |
| F | 560 mm |
| G | 1047 mm |
| H | 2271 mm |
| I | 1524 mm |
| J | 400 mm |
| K | 710 mm |
| L | 1341 mm |
| N | 707 mm |
| O | 1347 mm |

The shown transition pieces are optional

Pressure-volume graph

- Fan characteristic curve
- Working pressure increase
- ▨ Recommended Use

