

# PlasmaFil Pro

Art. No.: 32 180 216



## Applications

- High levels of smoke and dust
- Welding and grinding shops
- Training centres and robotic welding lines
- Laser, plasma and flame cutting systems
- Can be installed outdoors

## Benefits

- Contamination-free dust collection due to compressed air fixation of dust collection containers
- Uninterrupted continuous operation due to automatic differential pressure-controlled filter cleaning
- Little noise emission due to a low noise level
- Quick and simple set up, delivered ready to plug in with forklift pockets and lifting eyes \*1
- Considerable energy cost savings by using the automatic extraction volume control
- Convenient operation due to intelligent control via touch screen with diagnostic system
- Best health protection for employees by use of KemTex® ePTFE cartridges with surface filtration
- Recirculation is possible even when using chrome-nickel steel thanks to W3 certification

## Properties

- KemTex® ePTFE filter cartridges
- Automatic filter cleaning on required basis
- Highly effective and uniform filter cleaning by means of rotary nozzle
- Control via compact touch information display
- Low noise emissions thanks to extremely low noise level
- Quick and easy installation thanks to user-friendly preparation
- Low space requirement due to compact design

## Accessories

- Dosing unit for pre-coating the filter cartridges
- Automatic extraction volume control
- Fleet management, remote maintenance and pre-noise maintenance using autarkic networking via mobile radio to the KEMPER cloud
- Automatic start-stop
- Weatherproof housing for outdoor installation



## Technical Data

### Filter

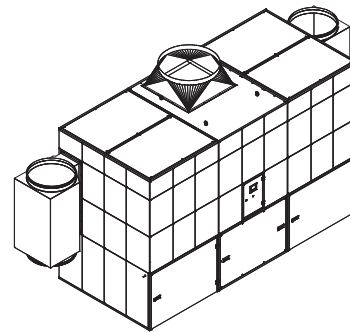
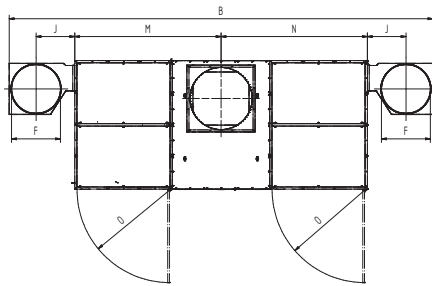
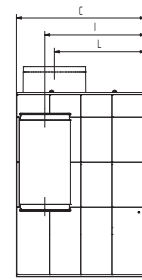
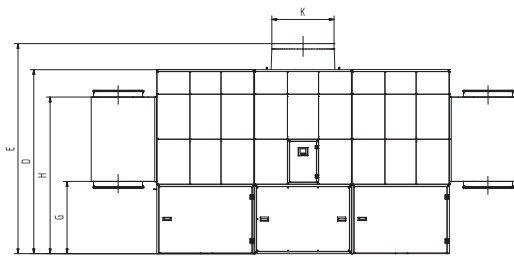
Filter stages	1
Filter method	Cleanable filter
Filter cleaning method	Rotating nozzle
Filter surface	20 m <sup>2</sup>
Number filter elements	16
Filter surface total	320 m <sup>2</sup>
Type of filter	Filter cartridge
Filter material	ePTFE membrane
Filter efficiency	> 99.99 %
Dust classification	M

### Basic data

Extraction capacity	12000 - 17280 m <sup>3</sup> /h
Vacuum	2550 - 1800 Pa
Weight	2360 kg
Motor power	15 kW
Power supply	3 x 400 V / 50 Hz
Rated current	26.5 A
Noise level	65 dB(A)

### Additional information

Fan type	Radial fan, belt driven
Compressed air supply	5 - 6 bar
Air outlet	710 mm
Air intake	2 x 560 mm
Capacity Dust collection container	2 x 192 l



## Technical Data

### Dimensions

B	5639 mm
C	1864 mm
D	2670 mm
E	3020 mm
F	560 mm
G	1047 mm
H	2271 mm
I	1524 mm
J	400 mm
K	710 mm
L	1341 mm
M	2119,5 mm
N	2119,5 mm
O	1347 mm

The shown transition pieces are optional

# Pressure-volume graph

- Fan characteristic curve
- Working pressure increase
- ▨ Recommended Use

